



In-Line

Check Valves

High performance check valves

The NP Medical In-line Back Check Valve is a time proven design used in IV delivery devices including gravity and pump sets. Its unique properties provide consistent opening pressure and flow characteristics for demanding medical applications.

Features

- Low priming volume
- Wide range of opening pressures available
- Latex and DEHP free
- Low profile
- 100% in-line tested
- Back pressure tested to 45 psig

Benefits

- Low drug hold-up
- Versatile design
- Compatible with most IV pumps
- Maximum protection against retrograde flow
- Proven clinical field performance

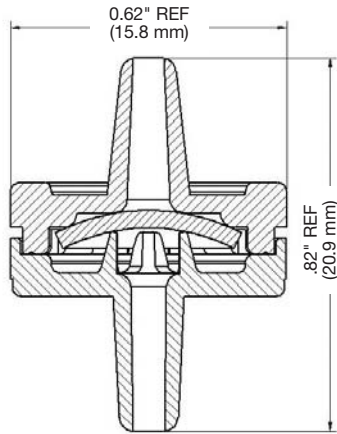
The robust design makes the In-line a superior choice for various medical applications. Its round profile is compatible with automated set assembly equipment.

The valve features a preloaded, normally closed latex free silicone diaphragm that allows flow in one direction while checking flow in the opposite direction. It is composed of a sonically bonded, DEHP free, thermoplastic body and an elastomeric diaphragm. All materials are USP Class VI approved.

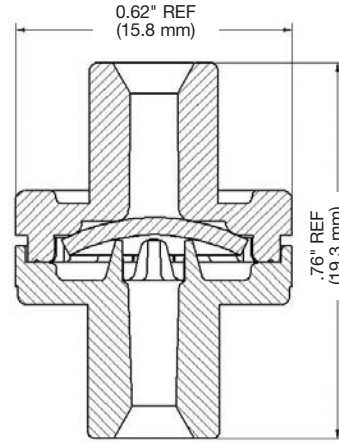
NP Medical's upstream, high volume, fully automated manufacturing capabilities ensure on-time delivery of precise components. The In-line is back pressure tested to 45 psig and 100% in-process tested for backflow and weld integrity. All NP Medical products are manufactured in an ISO Class 8, 100,000 cleanroom under cGMP guidelines, offering complete manufacturing traceability and meeting ANSI/ISO standards. NP Medical is an ISO 13485 registered manufacturer.



In-Line Check Valves



I.D. Tube Fitment Bond



O.D. Tube Fitment Bond

Ordering Information

Inlet/Outlet	Part Number	Housing Material	Avg. Opening Pressure		Priming Volume mL
			psig	mbar	
Tapered .130" - .138" (3.30mm - 3.51mm) I.D. Tube Bond	5N02-A200-ADM16	Acrylic	0.10	6.9	0.30
Tapered .130" - .138" (3.30mm - 3.51mm) I.D. Tube Bond	5N02-A200-ADM28	Acrylic	1.00	69.0	0.28
Tapered .130" - .138" (3.30mm - 3.51mm) I.D. Tube Bond	5N02-A200-ADM38	Acrylic	3.50	241.3	0.25
Tapered .130" - .138" (3.30mm - 3.51mm) I.D. Tube Bond	5N02-A200-MWM28	ABS	0.75	51.7	0.22
Tapered .129" - .132" (3.28mm - 3.35mm) O.D. Tube Bond	5N02-A500-ADM16	Acrylic	0.15	10.3	0.36

Standard Packaging: Bulk, non-sterile, in cases of 3,000 units

ISO 13485
Registered



101 Union Street,
Clinton, MA 01510
www.npmedical.com
Customer Service Telephone:
(978) 365-2500
Fax: (978) 365-4025
Email: sales@npmedical.com