



Pressure Activated Valves

Needle-free access valves

The NP Medical Pressure Activated Valve (PAV) is designed to be used as a “One-Way” valve for drug delivery and as an “Anti-Siphon” valve for pump applications. The low priming valve yields stable cracking pressure for dispensing anesthetic drugs as well as for use with other IV drug delivery devices.

Features

- Lipid resistant
- Clear housing
- Low priming volume
- Wide range of opening pressures
- Latex and DEHP free
- Low profile
- 100% in-line tested

Benefits

- Clear visualization of the fluid path
- Low drug hold-up
- Versatile design
- Withstands high back pressures
- Smooth bolus injection control
- Compatible with a wide range of pumps
- Optimal flushing properties
- “One-handed” operation
- Operates in any orientation
- Proven clinical field performance

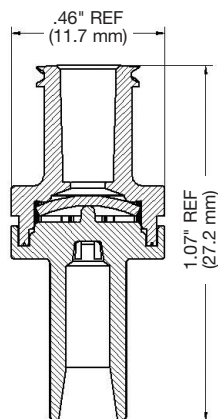
The PAV features a preloaded normally closed silicone diaphragm that allows flow in one direction, while checking fluid in the other direction preventing retrograde flow. Tight tolerances ensure consistent opening pressures.

The valve is composed of a sonically welded thermoplastic body and a silicone diaphragm. All materials are USP Class VI approved and can be gamma or EtO sterilized. The latex and DEHP free materials prevent adverse patient reactions.

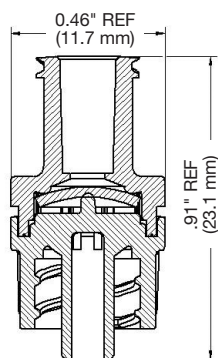
NP Medical’s upstream, fully automated manufacturing capabilities ensure on-time delivery of precise components. The PAV is backpressure tested to 45 psig and 100% in-process tested for backflow and weld integrity. All NP Medical products are manufactured in a Class 100,000 cleanroom under cGMP guidelines, offering complete manufacturing traceability and meeting ANSI/ISO standards. NP Medical is an ISO 13485 registered manufacturer.



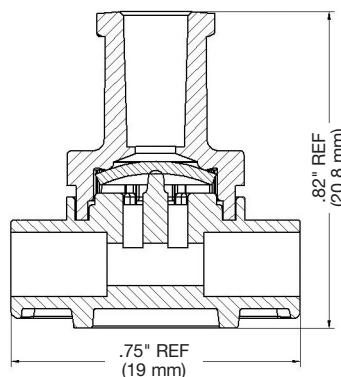
Pressure Activated Valves



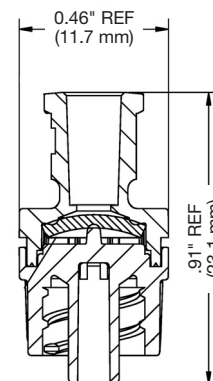
FLL/Tube Fitment



FLL/MLL



FLL/T-Style Tubing Port



FLL/MLL

Ordering Information

Inlet/Outlet	Part Number	Housing Material	Avg. Opening Pressure Priming		Volume mL
			psig	mbar	
FLL/Tube Fitment I.D. .129" - .132" (3.28mm - 3.35mm) Dia.	5N02-B400-SSM4I	Polycarbonate	2.90	200.0	0.25
FLL/Tube Fitment I.D. .113" - .117" (2.87mm - 2.97mm) Dia.	5N02-B700-SSM4I	Polycarbonate	2.25	155.1	0.24
FLL/MLL	5N02-B800-SSM16	Polycarbonate	0.10	6.9	0.22
FLL/MLL	5N02-B800-SSM4I	Polycarbonate	3.20	220.6	0.18
FLL/MLL	5N02-B900-SSM4I	Polycarbonate	3.5	241.3	0.18
FLL/MLL	5N02-B800-SSM45	Polycarbonate	4.23	291.6	0.18
FLL/ T-Style Tubing Port I.D. .149" - .163" (4 mm) Dia.	5N02-C100-EEM45	Co-Polyester	4.25	293.0	0.29

Standard Packaging: Bulk, non-sterile, in cases of 3000 units



ISO 13485
Registered

101 Union Street,
Clinton, MA 01510
www.npmedical.com
Customer Service Telephone:
(978) 368-4514
Fax: (978) 365-4025
Email: sales@npmedical.com