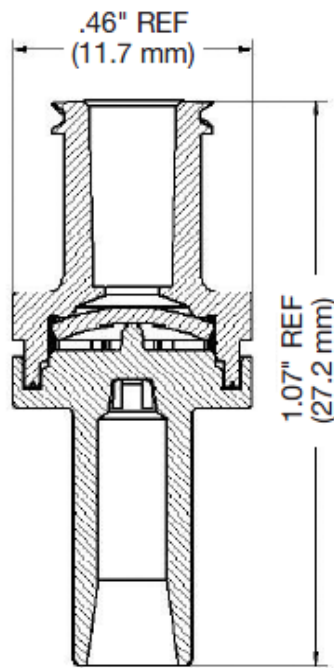


Anti-Siphon Valves

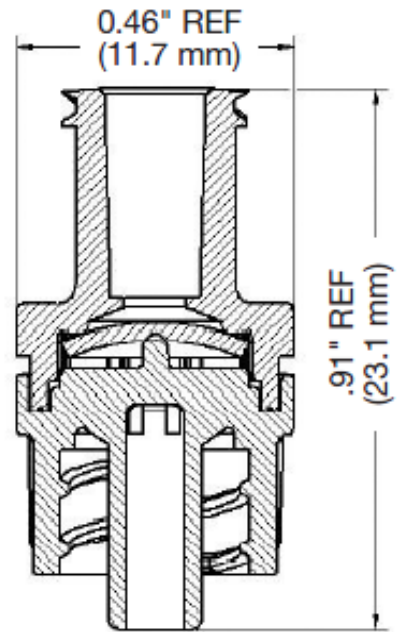
High performance valves

Features

- Low priming volume
- Wide range of available opening pressures
- Clear housing
- Lipid resistant
- 100% in-line tested
- Back pressure rated from 45 psi (3.1 bar) to 330 psi (22.8 bar)
- Latex and DEHP Free



FLL/Tube Fitment



FLL/MLL

Inlet/Outlet	Part Number	Housing Material	Avg. Opening Pressure		Priming Volume
			(psi)	(mbar)	(ml)
FLL/TB 0.132" (3.35mm)	5N02-B400-SSM41	PC	2.9	200	0.25
FLL/TB 0.117" (2.97mm)	5N02-B700-SSM41	PC	2.2	155	0.24
FLL/MLL	5N02-B800-SSM41	PC	3.2	221	0.18
FLL/MLL	B800-SSM45	PC	4.2	292	0.18
FLL/MLL	B900-SSM41	PC	3.5	242	0.18
FLL/MLL	B900-SSM45	PC	4.2	292	0.18
FLL/MLL	B950-SSU45*	PC	5.7	393	0.18
FLL/TB 0.117" (2.97mm)	H700-SSH45	PC	4.0	275	0.24
FLL/MLL	H900-SSH45	PC	4.0	275	0.18

InventIV. CollaboratIV. TransformatIV.

